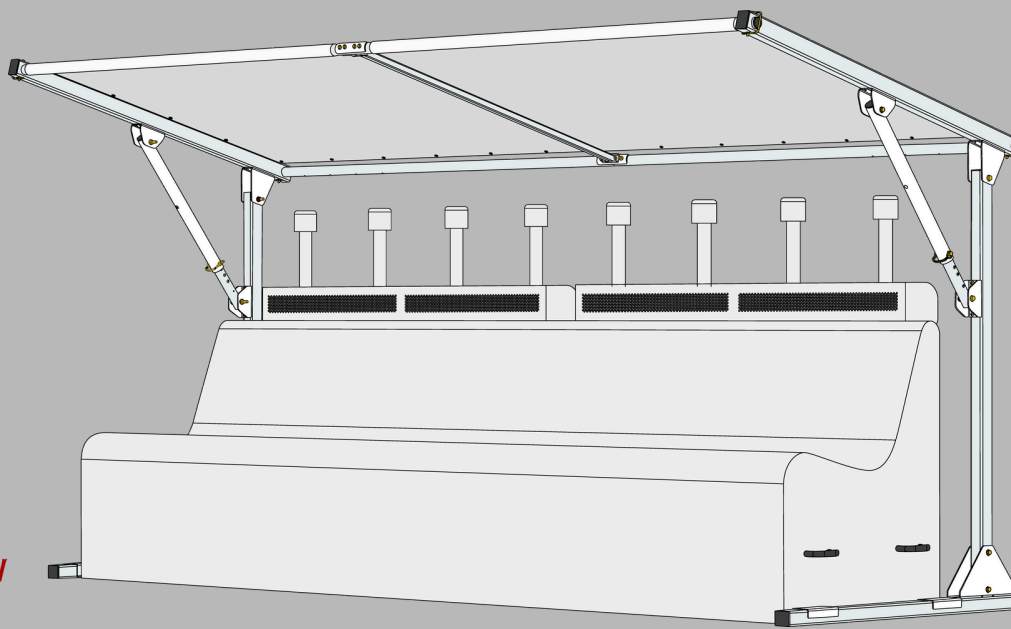


DRAGON SHADER™

A KINEMATIC COMPANY PRODUCT

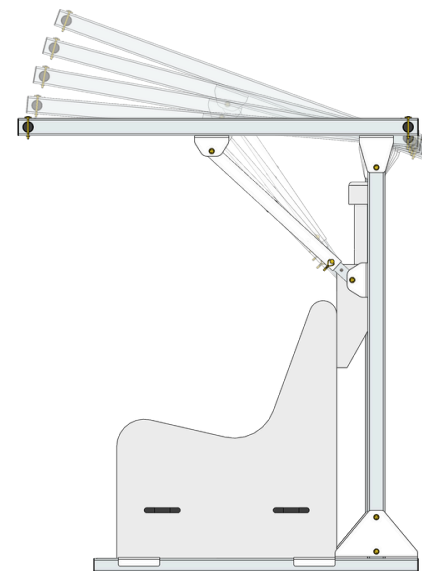


FEATURES

- Toolless setup/takedown – top and sides easily disconnect for flat travel and storage
- Toolless tilt – Flat, 5, 10, 15, & 20 degree shade angles provide adaptable sun protection
- Slides forward and backward independent of the bench for optimal bench shade
- Works with Heated & Cooling Sports Benches, standard aluminum benches, and chairs
- Open back allows for airflow and full bench service by AT staff
- Low-profile design allows for a clear line of sight for the fans
- Aluminum frame, tensioned 16oz white Vinyl top with UV inhibitor
- Available sizes: 6'-16' L x 5' W x 5.5' H
- Weight: 64lbs (6' L) – 84lbs (16' L)
- Made in the USA

OPTIONS

- Level 1 Branding: Length x 4.5' W Top Panel



*Patent Pending

